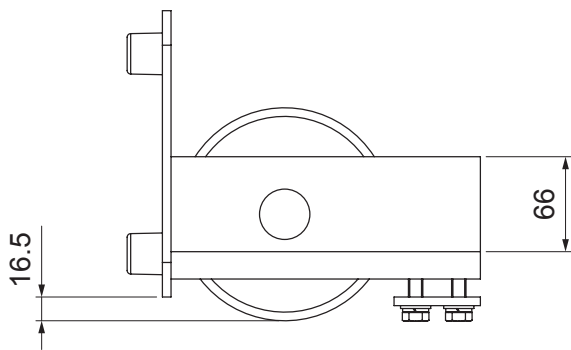
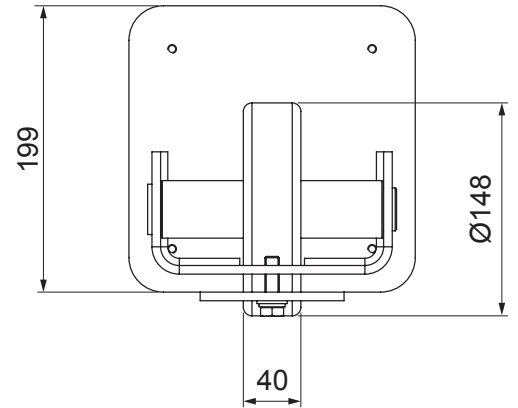
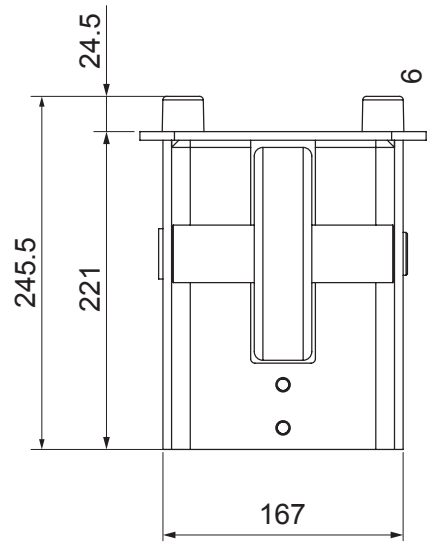
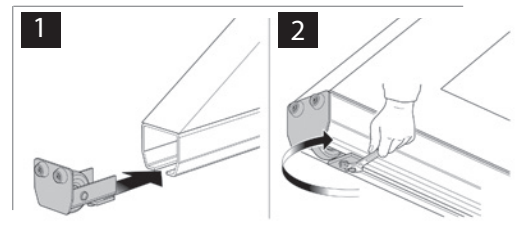
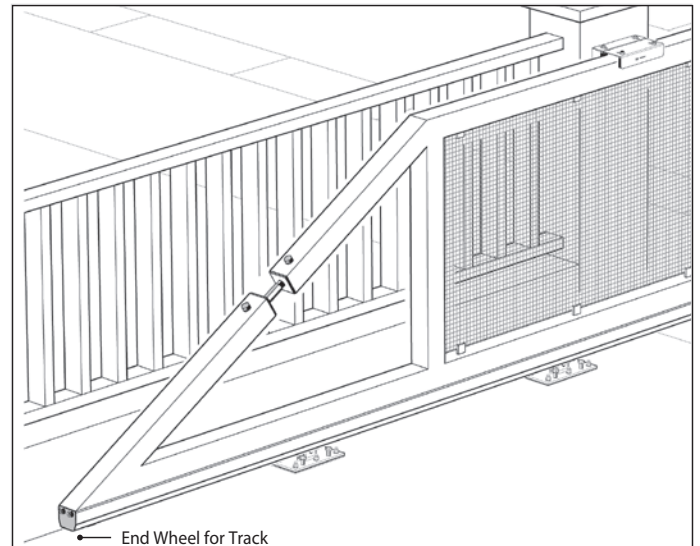


CGS-497-20K

End Wheel for Track, Galvanized



**ALL MEASUREMENTS
ARE IN MILLIMETERS**



Illustrations not to scale and are for reference only. Imperial units shown are for reference only, use millimeters for most accurate sizes.

*All pictures, technical drawings and related specifications belong to Fratelli Comunello Spa and they are defended by rules of copyright.
All uses not expressly authorized will be legally prosecuted. Product specifications are subject to change without notice.*